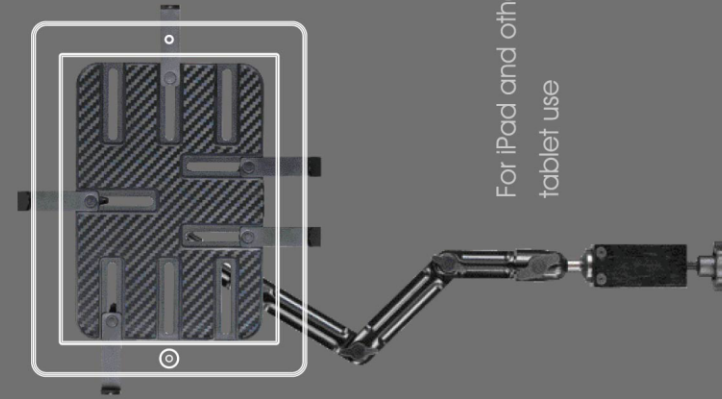


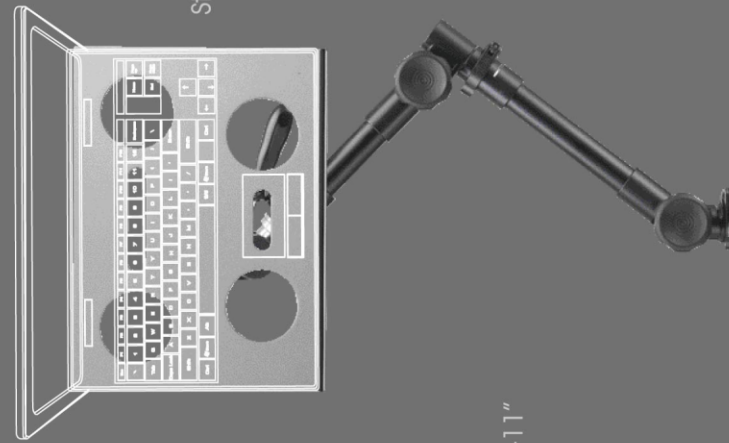
INFUU HOLDERS

Infuu Holders
www.infuu.de
Email: info@infuu.de
Tel.: +49 30 51647362
Fax: +49 32121208815
Zbigniew Lippke
Bruno-Taut-Ring 4 b
12359 Berlin, Germany

* All specification, dimensions and design characteristics shown in this catalog are subject to change without notice.



For iPad and other 7"-11"
tablet use

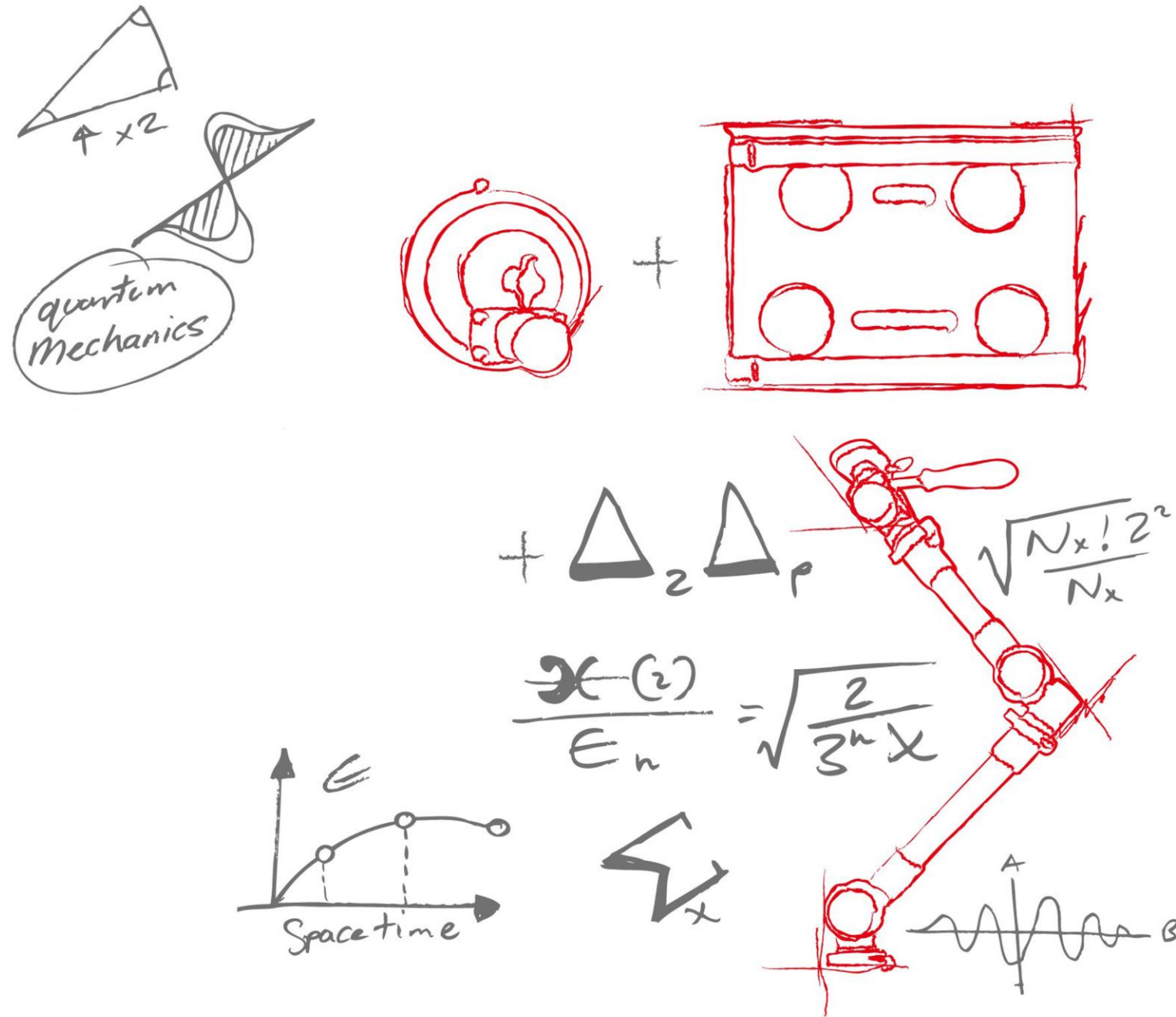


Steadily for heavy duty laptop use



For various of electronics device
and accessory.

INFUU HOLDERS



LUXTER



Carbon fiber car mount for iPad and tablets.



04 LUXTER 121
Car seat rail mount



05 LUXTER 122
Headrest mount



05 LUXTER 131
Cup holder mount

DORKAS



Universal aluminum car mount with multiple sections and functions.



06 DORKAS SP/SQ
Car seat rail mount



07 DORKAS HP/HQ
Headrest mount



07 DORKAS WP/WQ
Windshield mount



08 DORKAS CP/CQ
Clamp mount



08 DORKAS UP/UQ
Cup holder mount

SLICKA



Other mounting solutions for office and home.



09 SLICKA VA/VP/VQ/VV
VESA mount



10 SLICKA CP/CQ
Table clamp mount



11 SLICKA WP/WQ
Wheelchair mount



12 SLICKA TP/TQ
Table swing mount

ALPHA



Heavy duty car mount for laptops.



13 ALPHA 070N



14 ALPHA 100A/N/T



15 ALPHA 200A/N/T



16 ALPHA 350P

MARVO



Module parts for customization.



17 MARVO TRIAXIS



18

TRAY

N TRAY 012



Material : aluminum
 Dimension : 320(L)*250(W)*30(H)mm
 Fits 12" ~ 15.4" laptop
 Available color : black

A TRAY #013



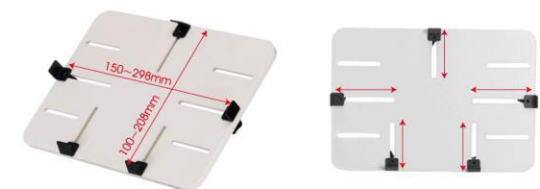
Material : die casting aluminum
 Dimension : 320(L)*230(W)*35(H)mm
 Fits 12" ~ 15.4" laptop
 Using Velcro tape to fasten the laptop.
 Hollow surface design for cooling.
 Available color : silver

T TRAY #014



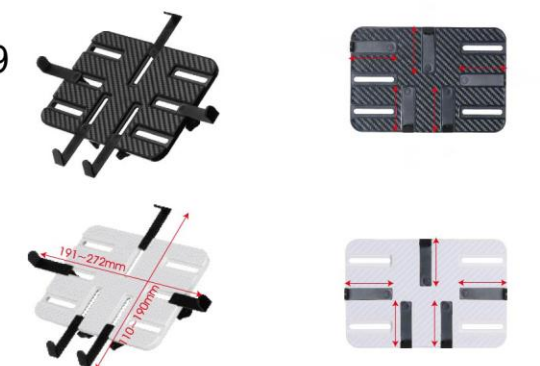
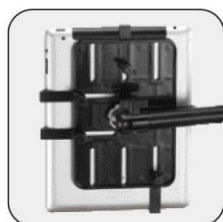
Material : aluminum
 Dimension : 250-370(L)*250(W)*20(H)mm
 Fits 12" ~ 15.4" laptop
 Adjustable sliding design for different sizes of laptops.
 Available color : black

P TRAY #015



Material : ABS, aluminum
 Dimension : 300(L)*210(W)*15(H)mm
 Fits 10" ~ 13" tablets, ultrabooks and laptops.
 Available color : black & white

Q TRAY #099



Material : ABS, aluminum
 Dimension : 191~272(L)*110~190(W)*10(H)mm
 Fits 7" ~ 11" tablets
 Available color : black & white

LUXTER

www.infuu.de

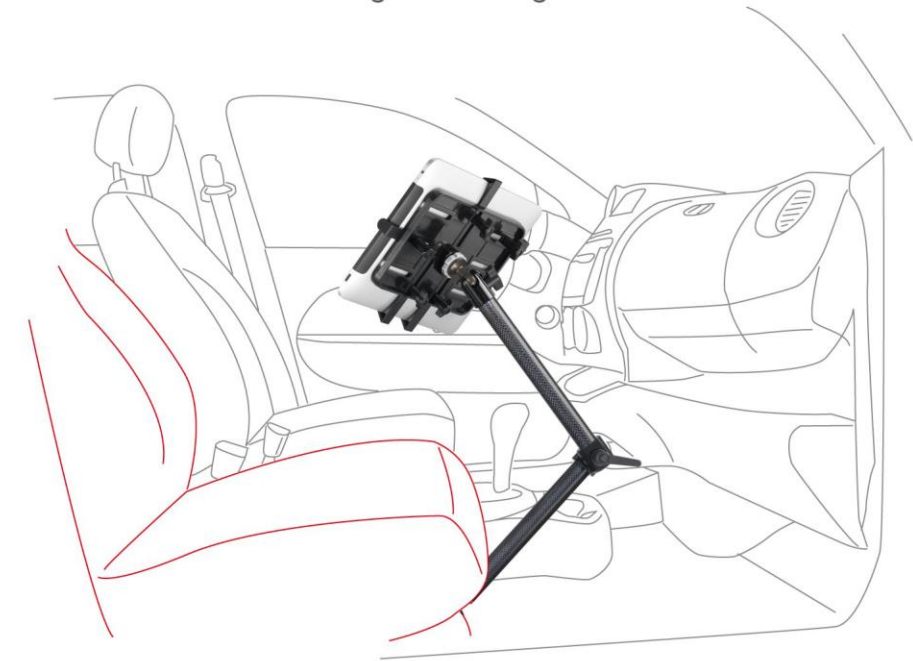
Each detail is delicately designed. Made of real carbon fiber, light and elegant.
 The brilliant luster ever.

LUXTER 121 #109

Feature

Car seat rail mount

Material	3K carbon fiber
Loading weight	1.5kgs
For iPad and 7"-11" tablets	



Anyway! Anywhere! Dorkas is beyond your imagination.
Enjoy your moving with smart Dorkas.

LUXTER 122 #120

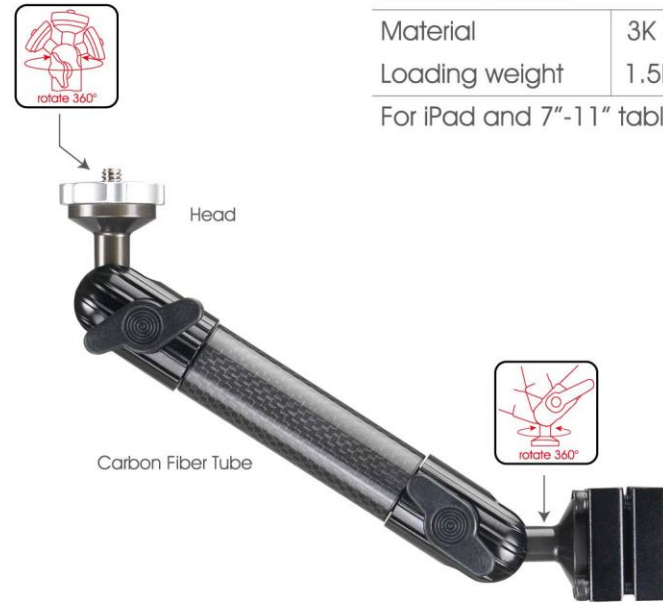
Feature

Headrest mount

Material 3K carbon fiber

Loading weight 1.5kgs

For iPad and 7"-11" tablets



LUXTER 131 #121

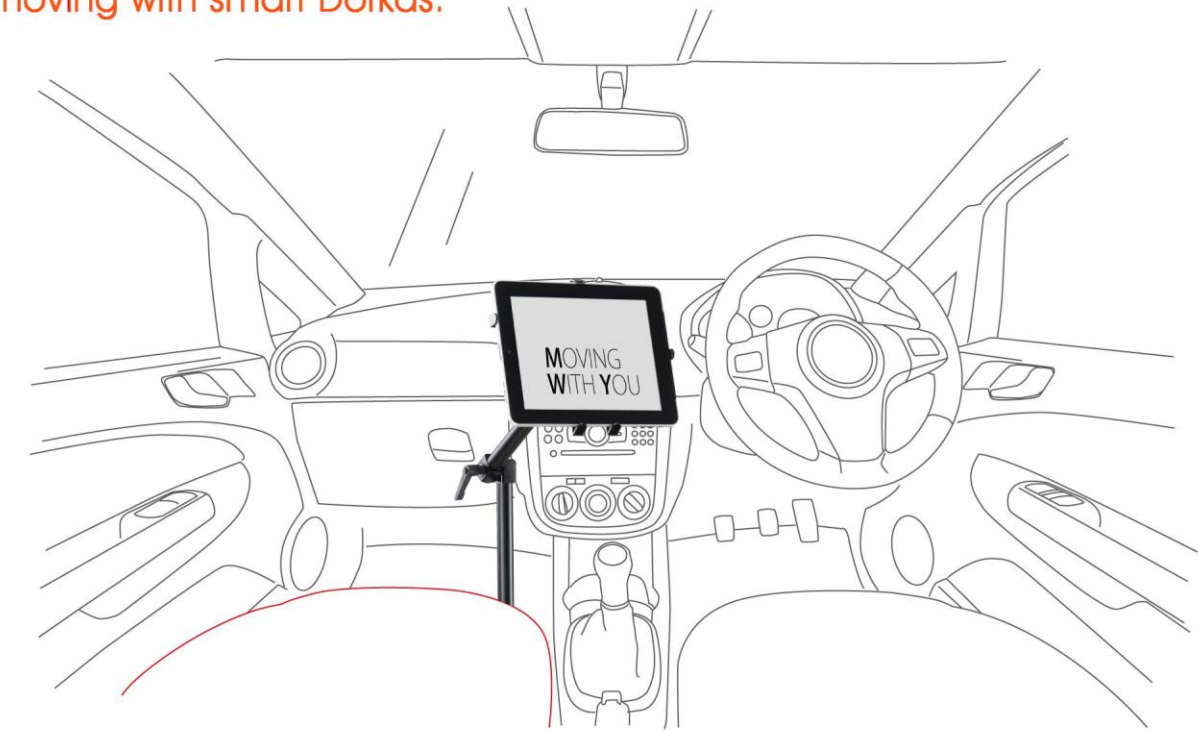
Feature

Cup holder mount

Material 3K carbon fiber

Loading weight 1.5kgs

For iPad and 7"-11" tablets



DORKAS SP/SQ #122

Feature

Car seat rail mount

Material aluminum

Loading weight 1.5kgs

For iPad and 7"-13" tablets

Available Trays



DORKAS HP/HQ #007

Feature

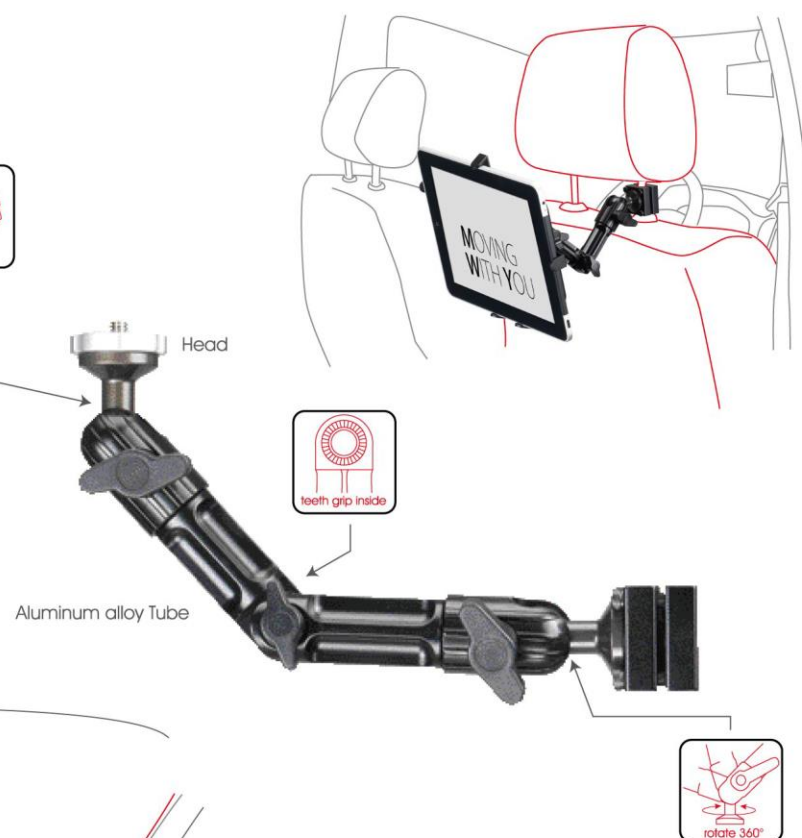
Headrest mount

Material aluminum

Loading weight 1.5kgs

For iPad and 7"-13" tablets

Available Trays



DORKAS CP/CQ #052

Feature

Clamp mount

Material aluminum

Loading weight 1.5kgs

For iPad and 7"-13" tablets

Available Trays



DORKAS UP/UQ #104

Feature

Cup holder mount

Material aluminum

Loading weight 1.5kgs

For iPad and 7"-13" tablets

Available Trays



DORKAS WP/WQ #008

Feature

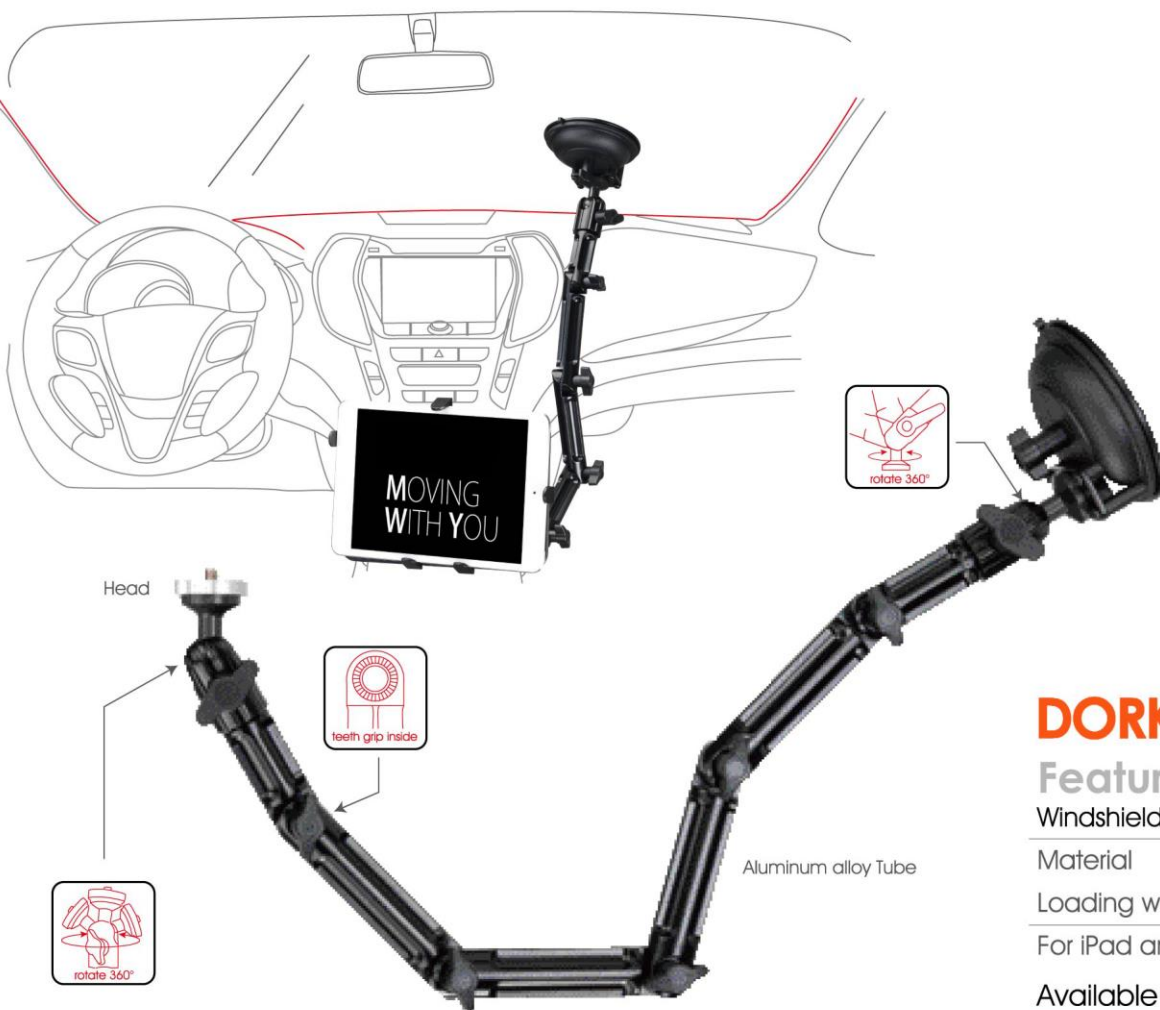
Windshield mount

Material aluminum

Loading weight 1.5kgs

For iPad and 7"-13" tablets

Available Trays



SLICKA VA/VP/VQ/VV #107

VESA mount
With standard VESA bracket.
Quick and easy installation.

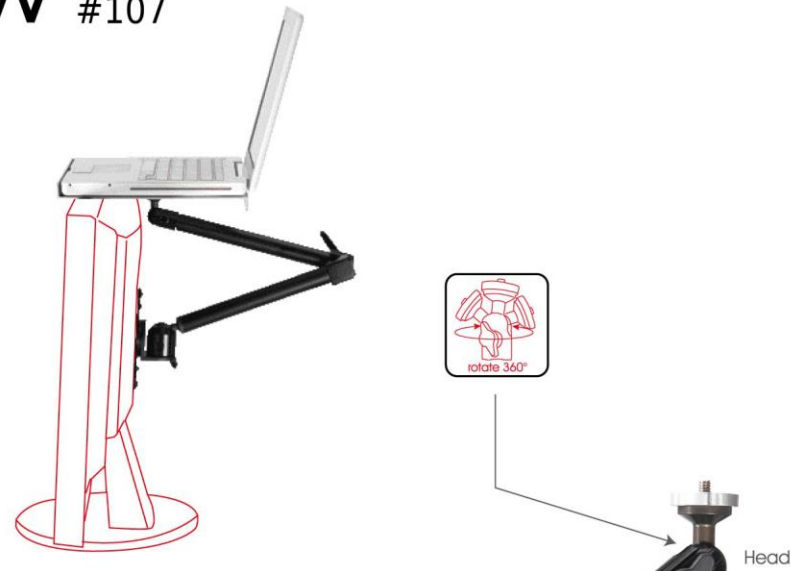
Feature

Material	aluminum
Loading weight	1.5kgs
For iPad and 7"-13" tablets	

Available Trays



A TRAY P TRAY Q TRAY ACS-01



Aluminum alloy Tube

Head



Head

Aluminum alloy Tube



SLICKA CP/CQ #106

Table clamp mount
No-drilling installation on tables.

Feature

Material	aluminum
Loading weight	1.5kgs
For iPad and 7"-13" tablets	

Available Trays



P TRAY Q TRAY



MOVING WITH YOU

Alpha is the very first ONYX mount for laptops. You will never disappoint its durability and functions.

ALPHA 070N #001

Laptop car mount

Feature

Material	aluminum
Loading weight	5kgs
Tooth joint head, holding steadily at any angles.	



N TRAY

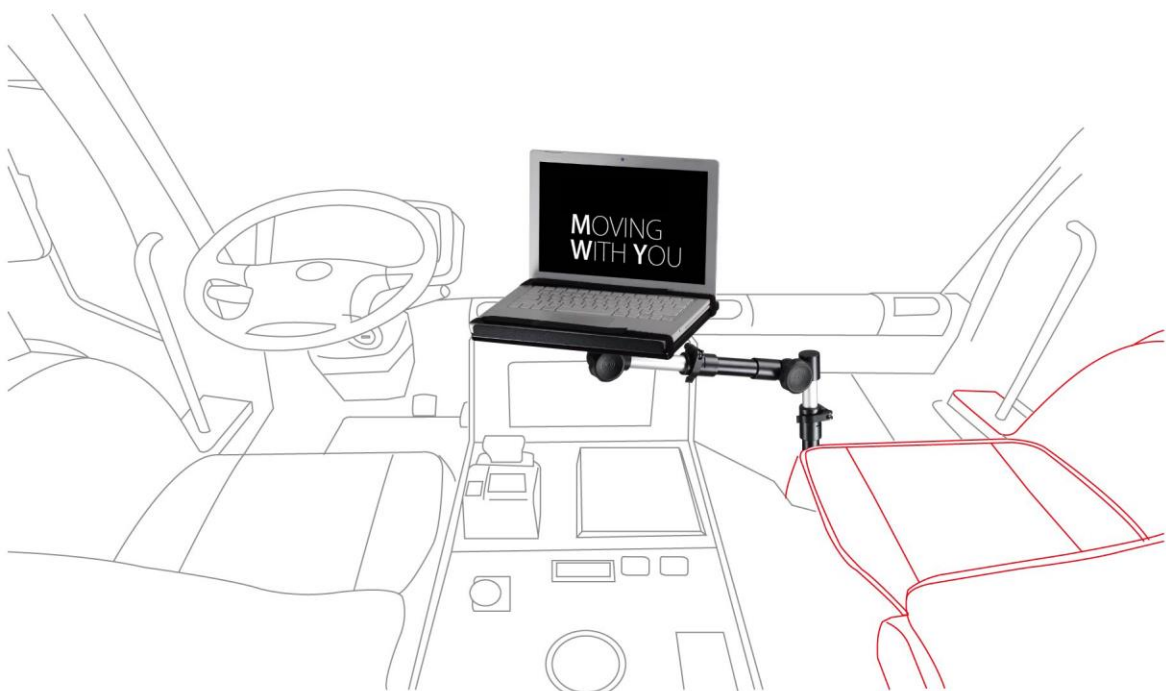
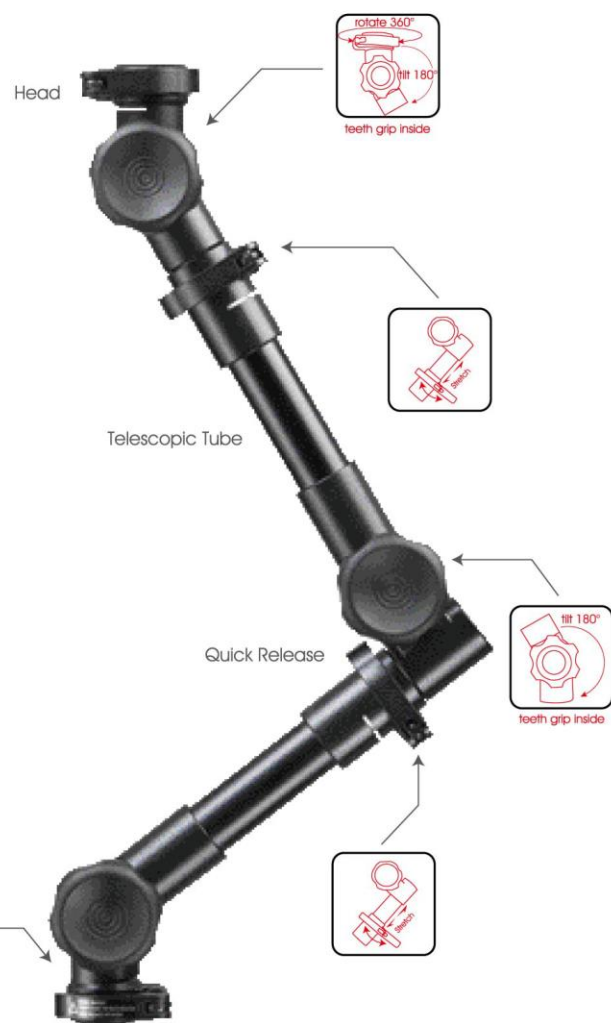
Optional Parts



ACS-02



ACS-03



ALPHA 100A/N/T #002

Laptop car mount

Feature

Material	aluminum
Loading weight	3.5kgs
3 way tripod head with quick release device. Also fits photo equipments.	



A TRAY



N TRAY



T TRAY

Optional Parts



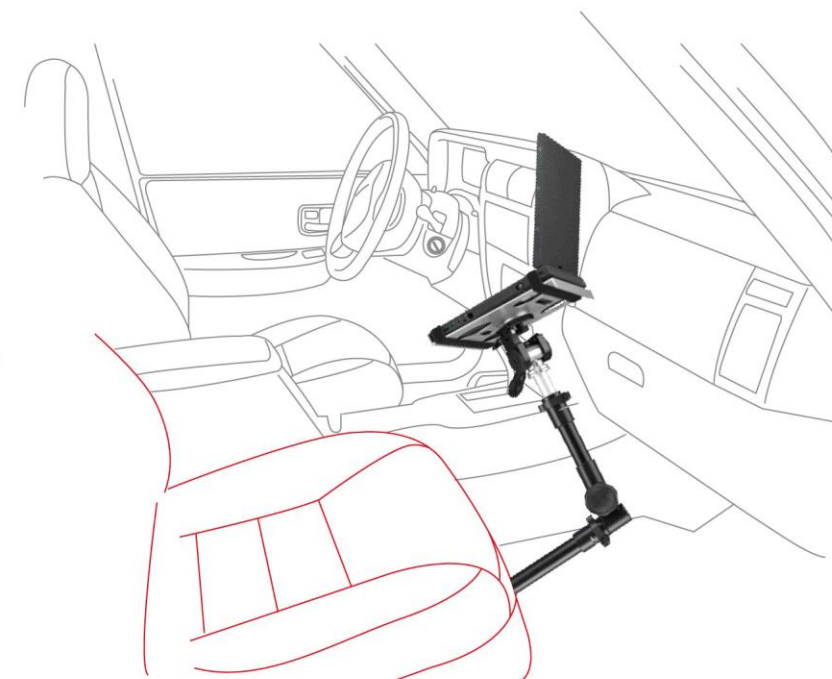
ACS-01



ACS-02



ACS-03



ALPHA 200A/N/T #003

Laptop car mount

Feature

Material	aluminum
Loading weight	4kgs

Ball joint head design with quick release device.
Also fits photo equipments.



Optional Parts



ALPHA 350P #010

Laptop car mount

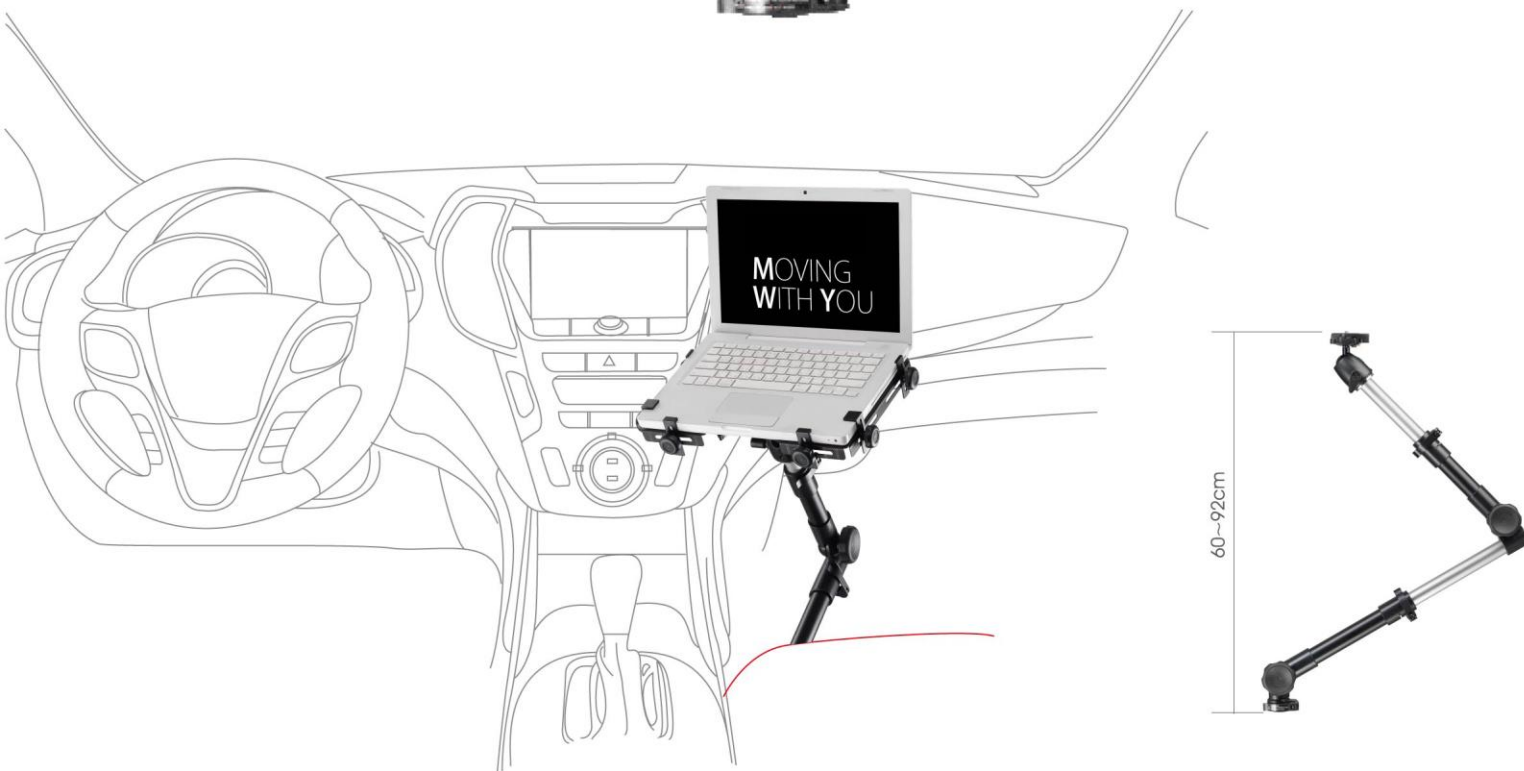
Feature

Material	aluminum
Loading weight	2.5kgs

Clamping ball joint, holding steadily at any angles.
Also fits photo equipments, tablets, ultrabooks



Optional Parts



TRIAxis

Innovative design with facilitation and durability. To fix and adjust the both end of mount and joint, just simply loosen or lock up the knob. Ball head parts are replaceable easily with other types.



Variation design for building block parts.



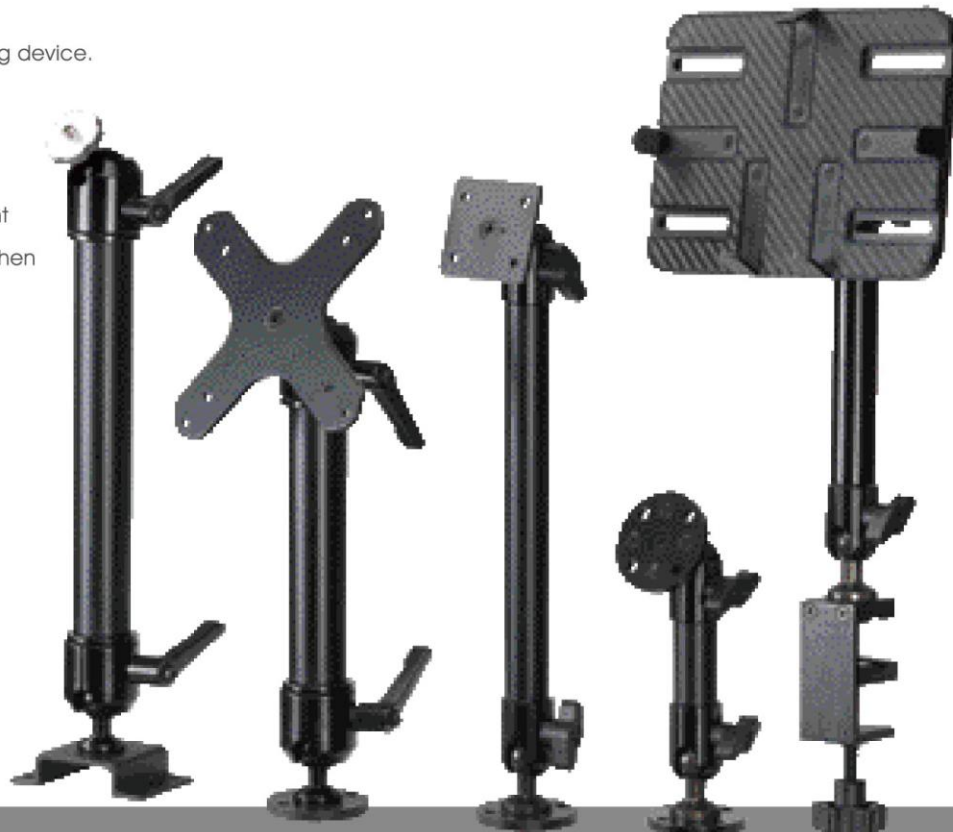
STEP1.
Choose appropriate holder parts as holding device.



STEP2.
Identify loading weight and length needed ,then choose mount.



STEP3.
Choose appropriate base parts to support the mount.



MARVO HOLDER PARTS



HOLDER No.: VP #081
VESA Plate Ball
For VESA compatible monitor use.



HOLDER No.: SP #082
Square Plate Ball
55 x 50 mm Square plate for drill or connect use.



HOLDER No.: CS #013
Camera screw Ball
With a 1/4" screw for camera, DV, CCTV camera use.



HOLDER No.: RP #083
Round Plate Ball
ø52.5mm round plate for drill or connect use.



HOLDER No.: PT #015
P Tray Ball
For 10"~13" tablet, ultrabook, notebook use.



HOLDER No.: QT #099
Q Tray Ball
For 7"~11" tablet use.

MARVO MOUNT



#084
MOUNT NO.: TRIAXIS
Loading Weight 3KG



#085
MOUNT NO.: 40
Loading Weight 3KG



#086
MOUNT NO.: 127
Loading Weight 2KG



#087
MOUNT NO.: 140
Loading Weight 4KG



#088
MOUNT NO.: 203
Loading Weight 3KG

MARVO BASE PARTS



BASE No.: SC #089
Small Clamp Ball
For flat sharps or tube use, dia. Small than 30mm.



BASE No.: VP #090
VESA Plate Ball
For VESA compatible monitor use.



BASE No.: RP #090
Round Plate Ball
ø52.5mm round plate for drill or connect use.



BASE No.: HB #091
Hat Type Ball
Hat type plate for drill use, allow cable/wire to go though the tunnel.



BASE No.: SB #092
Sucker Ball
ø90 mm Sucker for glass use.



BASE No.: SP #093
Square Plate Ball
55 x 50 mm Square plate for drill or connect use.



BASE No.: TB #094
Tube base Ball
For tube dia. smaller than 21mm use.

CUSTOMIZATION FOR THE PARTS YOU NEED.

We have sufficient experience in OEM/ODM.
We can provide all-in service to create your perfect mounting solution.